

CFPX-104 CRYSTALS

ISSUE 7; 1 NOVEMBER 2008 – RoHS 2002/95/EC

Holder Style

- Hermetically sealed ceramic package with a seam sealed metal lid.

General Specifications

- Load Capacitance (CL): 10pF to 30pF or Series
- Drive Level: 0.1mW max
- Static Capacitance (C0): 7pF max
- Ageing: ± 5 ppm max per year at 25°C

Packaging

- Loose in bulk pack or tape and reel

Standard Frequency Tolerances and Stabilities

- ± 10 ppm to ± 50 ppm

Operating Temperature Range

- 10 to 60°C

Storage Temperature Range

- 30 to 85°C

Environmental Tests

- Drop Test: Unit dropped from height of 75cm onto hard wooden plate, three times
- Vibration: MIL-STD-202F, Method 204D, Test condition D 20G (frequency range 10-2000Hz, 4 hours in each X, Y & Z axis. Total 12 hours)

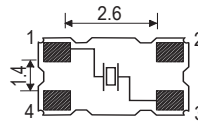
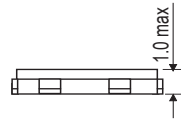
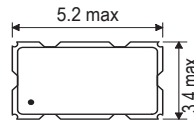
Marking includes

- Frequency

Minimum Order Information Required

- Frequency + Holder + Frequency Tolerance @ 25°C
+ Frequency Stability + Operating Temperature Range
+ Circuit Condition

Outline (mm)



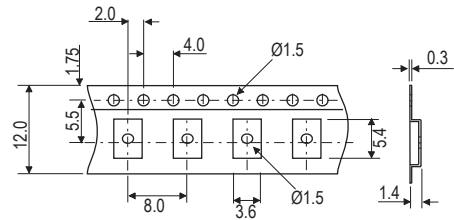
Pad Connections

- Crystal
- GND & Lid
- Crystal
- GND & Lid

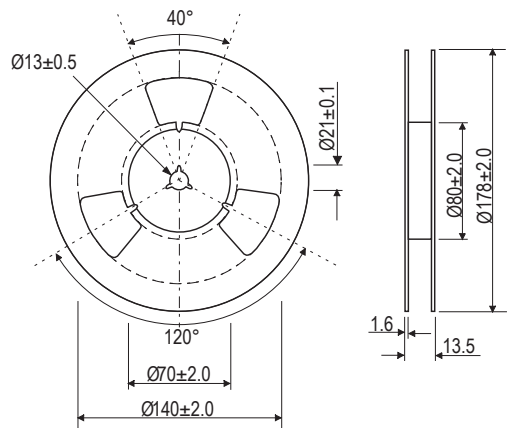
Solder pad layout



Tape (mm)



Reel (mm)



Electrical Specifications – maximum limiting values

Frequency Range	Frequency Tolerance @25°C ±2°C	Operating Temperature Range	Frequency Stability Available Over Operating Temperature Range		ESR Max	Vibration Mode
			Minimum	Maximum		
12.0 to <16.0MHz	±10ppm to ±50ppm	-10 to 60°C	±10ppm	±50ppm	70Ω	Fundamental At cut
16.0 to 67.0MHz					50Ω	

Note. For any other frequencies / specification please contact our sales office