

CFPX-180 CRYSTALS

ISSUE 4; 1 NOVEMBER 2008 – RoHS 2002/95/EC

Holder Style

- Ceramic package with a seam sealed metal lid

General Specifications

- Load Capacitance (CL): 16pF standard
- Drive Level: 100μW max
- Ageing: ±5ppm max per year @ 25°C
- Shunt Capacitance (C0): 7pF max

Packaging

- Loose in bulk pack or tape and reel

Standard Frequency Tolerances and Stability

- ±10ppm to ±50ppm

Operating Temperature Range

- -10 to 60°C

Storage Temperature Range

- -30 to 85°C

Environmental

- Shock: MIL-STD-202F, Method 213B (1/2 sine, 1000G, 0.5ms)
- Vibration: MIL-STD-202F, Method 204D, Test Condition D 20G (freq range 10–2000Hz, 4 hrs in X, Y & Z axes, total 12hrs)

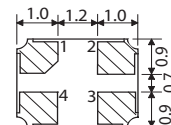
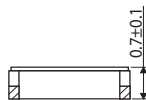
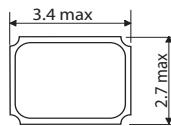
Marking includes

- Frequency

Minimum Order Information Required

- Frequency + Holder + Frequency Tolerance @ 25°C + Frequency Stability + Operating Temperature Range + Circuit Condition + Overtone Order

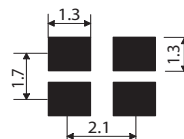
Outline (mm)



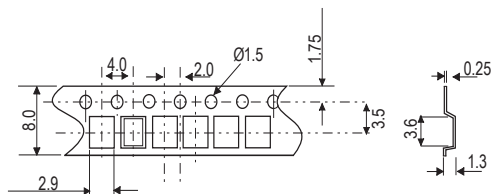
Pad Connections

1. Crystal
2. N/C
3. Crystal
4. N/C

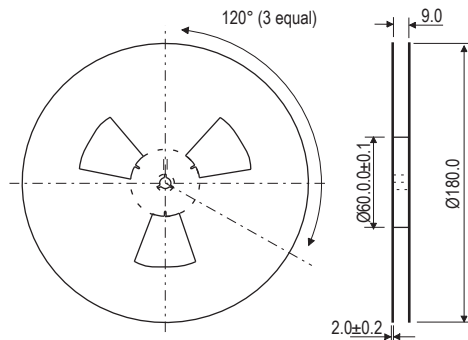
Solder pad layout



Tape (mm)



Reel (mm)



Electrical Specifications – maximum limiting values

Frequency Range	Frequency Tolerance @25°C ±2°C	Operating Temperature Range	Frequency Stability Available Over Operating Temperature Range		ESR Max	Vibration Mode
			Minimum	Maximum		
13.0 to <16.0MHz	±10ppm to ±50ppm	-10 to 60°C	±10ppm	±50ppm	150Ω	Fundamental AT Cut
16.0 to 50.0MHz					100Ω	

Note. For any other frequencies / specification combinations, please contact our sales office