

CFPX-188 CRYSTALS

ISSUE 3; 1 NOVEMBER 2008 – RoHS 2002/95/EC

Holder Style

- Hermetically sealed ceramic package with a seam sealed metal lid

General Specifications

- Drive Level: 0.1mW max
- Ageing: ± 3 ppm max per year at 25°C

Packaging

- Loose in bulk pack or tape and reel

Standard Frequency Tolerance and Stability Range

- ± 10 ppm to ± 50 ppm

Operating Temperature Range

- 10 to 60°C

Storage Temperature Range

- 40 to 90°C

Environmental

- Drop: naturally dropped 3 times from a height of 75cm onto a hardwood surface
- Vibration: frequency 10–55Hz, 1.5mm amplitude, 1min period, X, Y & Z axes, 2hrs in each direction

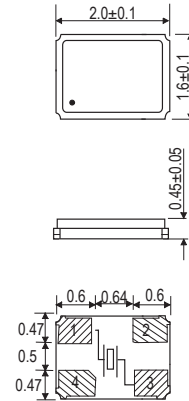
Marking includes

- Frequency

Minimum Order Information Required

- Frequency + Holder + Frequency Tolerance @ 25°C
+ Frequency Stability + Operating Temperature Range
+ Circuit Condition

Outline (mm)

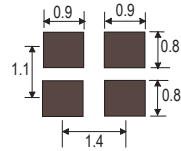


Pad Connections

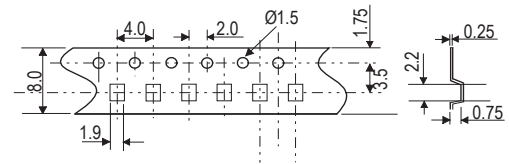
- Crystal
- N/C
- Crystal
- N/C

Note: pads 2 & 4 are connected to lid

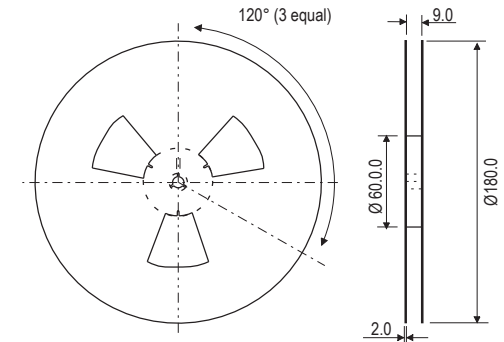
Solder pad layout



Tape (mm)



Reel (mm)



Electrical Specifications – maximum limiting values

Frequency Range	Frequency Tolerance @25°C ±2°C	Operating Temperature Range	Frequency Stability Available Over Operating Temperature Range		ESR Max	Vibration Mode
			Minimum	Maximum		
26.0 to <36.0MHz	±10ppm to ±50ppm	-10 to 60°C	±10ppm	±50ppm	100Ω	Fundamental AT cut
36.0 to 50.0MHz					80Ω	
Note. For any other frequencies / specification combinations, please contact our sales office						