

CFPX-201 CRYSTALS

ISSUE 3; 1 NOVEMBER 2008 – RoHS 2002/95/EC

Holder Style

- Hermetically sealed ceramic package with a seam sealed metal lid

General Specifications

- Drive Level: 0.1mW max
- Ageing: ± 1 ppm max per year at 25°C
- Shunt Capacitance C0: 5pF max

Packaging

- Loose in bulk pack or tape and reel

Standard Frequency Tolerance and Stability Ranges

- ± 10 ppm to ± 50 ppm

Operating Temperature Range

- 10 to 60°C

Storage Temperature Range

- 40 to 90°C

Environmental

- Drop: naturally dropped from a height of 75cm onto a hardwood surface, 3 times
- Vibration: 10 to 55Hz, 1.5mm amplitude, 1 min in each of 3 axes, total duration 2 hours

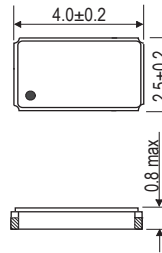
Marking includes

- Frequency + Date Code

Minimum Order Information Required

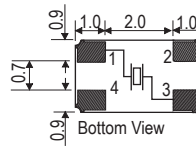
- Frequency + Holder + Frequency Tolerance @ 25°C
+ Frequency Stability + Operating Temperature Range
+ Circuit Condition

Outline (mm)

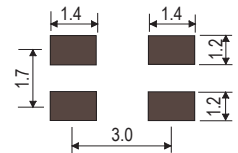


Pad Connections

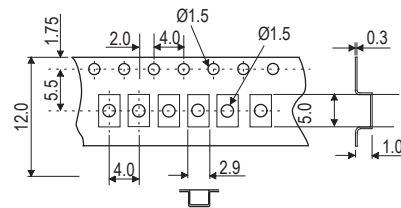
- Crystal
- GND & Lid
- Crystal
- GND & Lid



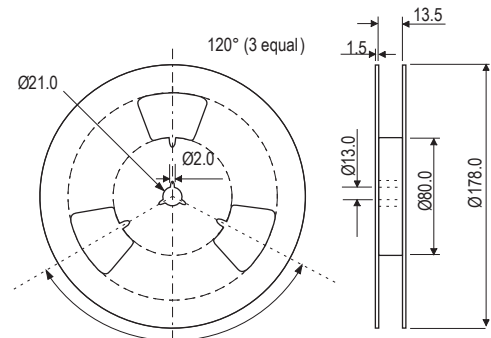
Solder pad layout



Tape (mm)



Reel (mm)



Electrical Specifications – maximum limiting values

Frequency Range	Frequency Tolerance @25°C ±2°C	Operating Temperature Range	Frequency Stability Available Over Operating Temperature Range		ESR Max	Vibration Mode
			Minimum	Maximum		
12.0 to <13.0MHz	±10ppm to ±50ppm	-10 to 60°C	±10ppm	±50ppm	100Ω	Fundamental AT cut
13.0 to <19.0MHz					80Ω	
19.0 to <40.0MHz					60Ω	
40.0 to 50.0MHz					50Ω	