

# CFPX-56 CRYSTALS

ISSUE 4; 1 NOVEMBER 2008 – RoHS 2002/95/EC

## Holder Style

- 2 x 6mm SMD Cylinder Crystal (pre-formed legs)

## General Specification

- Load Capacitance (CL): 12.5pF standard
- Drive Level: 1.0μW max
- Ageing ±5ppm max in 1st year
- Shunt Capacitance (Co) 1.6pF typ
- Static Capacitance (Co) 3.2fF typ

## Packaging

- Trays or tape and reel

## Standard Frequency Tolerance

- ±20ppm

## Operable Temperature Range

- 10 to 60°C

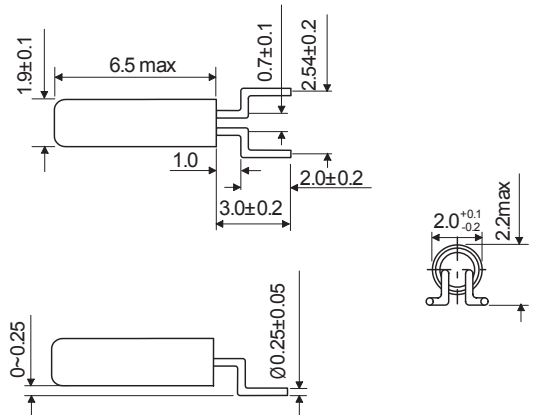
## Environmental Tests

- Drop Test: Dropping from 75cm height to a wooden plate 3 times. Frequency variation <±5ppm. ESR variation <±10%
- High Temperature Storage Test: +85°C for 24 hours. Frequency variation <±5ppm. ESR variation <±10%

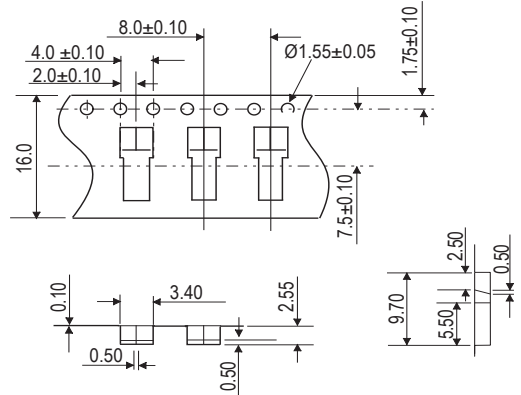
## Marking

- Frequency only

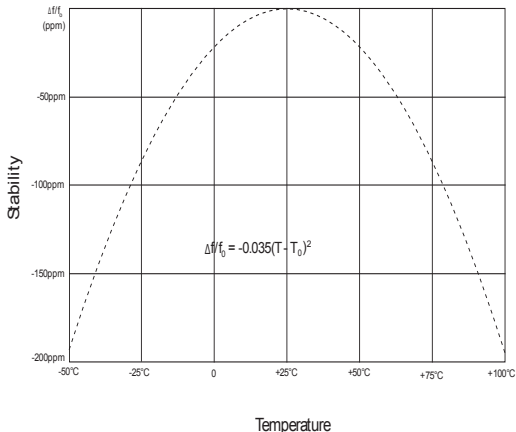
## Outline (mm)



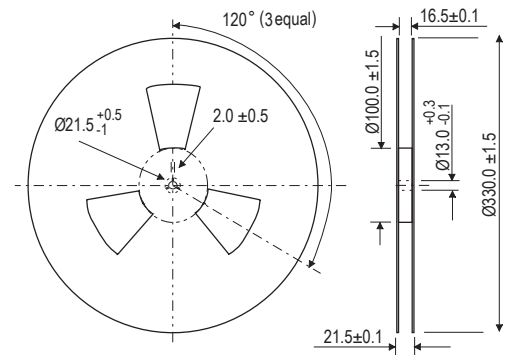
## Tape (mm)



## Typical Frequency Stability Characteristic



## Reel (mm)



**Electrical Specifications – maximum limiting values**

Frequency Range	Frequency Tolerance @25°C ±2°C	Operating Temperature Range	Typical Frequency Stability Coefficient	ESR	Vibration
32.7680kHz	±20ppm	-10 to 60°C	-0.035/°C <sup>2</sup>	40kΩ	Fundamental X cut